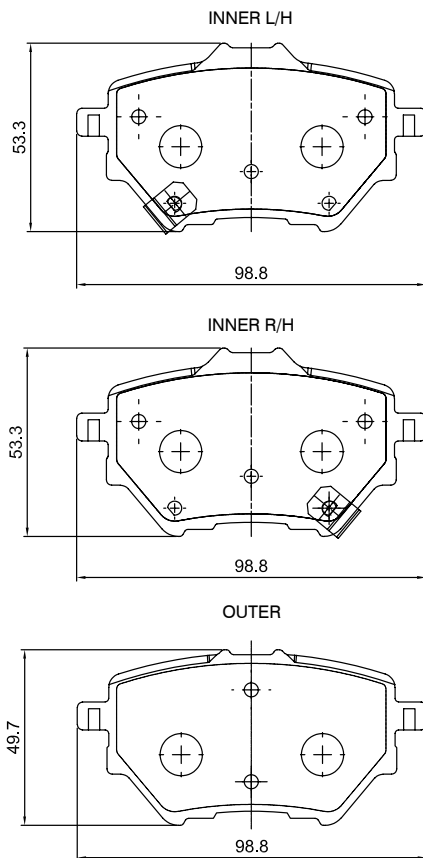




SAFELINE REAR BRAKE PAD

D4194

PAD THICKNESS : 17.4mm



FITS :
**CITROEN, HAVAL, OPEL
& PEUGEOT**

CARTON SIZE = 76 X 123 X 113
WEIGHT = 1.11 KGS
BARCODE = 6009699899661

CROSS REFERENCE :
FERODO : FDB4680
HAVAL : 3502110-XSZ08A

MAKE	YEAR	OIL	AIR	FUEL	OTHER	SAFELINE BRAKES	
						F/PAD	R/PAD
CITROEN (MPV, SUV)							
C4 PICASSO II 1.6 e-HDi 115, 85Kw (DV6C, DV6FC 4 Cyl 1560 Eng)	2014-2017	M45 or M200	AG1500	MP44	AC106	D4070 or D4073 or D4093	D4074 or D4194
HAVAL							
H2 1.5T, 105Kw (GW4G15B 4 Cyl 1497 Eng)	2017-2021	Z226	AG1890	E88		D4193	D4194
OPEL COMMERCIAL							
COMBO 1.6 TD, 68Kw (A16DT 4 Cyl 1560 Eng)	2019-		AG1500	MP44		D4070 or D4072	D4074 or D4194
PEUGEOT							
308 II 1.2 PureTech, 81Kw (EB2DT 3 Cyl 1199 Eng)	2015-2018	Z361	AG1714	INTANK	AC150	D4072 or D4073	D4071 or D4074 or D4075 or D4194
308 II 1.2 PureTech, 96Kw (EB2DTS 3 Cyl 1199 Eng)	2015-2019	Z361	AG1714	INTANK	AC150	D4072 or D4073	D4074 or D4075, D4194
308 II 1.6 GT THP, 151Kw (EP6FDTX 4 Cyl 1598 Eng)	2015-2016	M44	AG1484	INTANK	AC150	D4072 or D4073	D4074 or D4075, D4194

MAKE	YEAR	OIL	AIR	FUEL	OTHER	SAFELINE BRAKES	
						F/PAD	R/PAD
PEUGEOT (MPV, SUV)							
3008 II 1.6 THP, 121Kw (EP6FDT 4 Cyl 1598 Eng)	2017-	M44	AG1484	INTANK	AC106	D4070	D4071 or D4194
3008 II 2.0 HDi (P84), 110Kw (DW10FD 4 Cyl 1997 Eng)	2018-2021	Z361			AC106	D4070	D4071 or D4194
PEUGEOT COMMERCIAL							
PARTNER 1.6 HDi, 68Kw (DV6F 4 Cyl 1560 Eng)	2020-					D4073	D4074 or D4194

Regards
Mark Groenewald
Product Management

IMPORTANT NOTICE

Every effort has been made to ensure the accuracy of the information listed in this bulletin. The information contained herein is compiled and issued for guidance purposes only. The company (G.U.D. Holdings (Pty) Ltd.) will not be liable for any expenses or claims due to manufacturers changes, modifications and incorrect brake pad applications obtained through the use of this publication.

TECHNICAL HELP DESK : MOKGAOLA MKHONDO : 031-910 3154
Safeline Website: www.safelinebrakes.co.za

