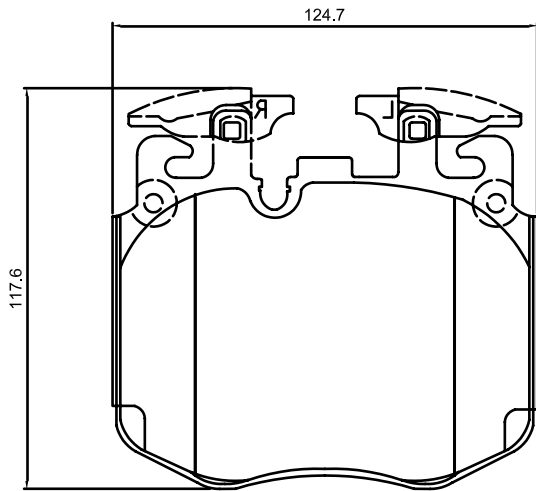




SAFELINE FRONT BRAKE PAD

PAD THICKNESS : 19.6mm



D4274

FITS : BMW

CARTON SIZE = 84 X 215 X 136

WEIGHT = 3.73 KGS

BARCODE = 6009699899920

CROSS REFERENCE :

BMW : 34106883510

BMW : 34106888459

BMW : 34116889585

MAKE	YEAR	OIL	AIR	FUEL	SAFELINE BRAKES	
					F/PAD	R/PAD
BMW						
3 SERIES 320i (G20/G21), 135Kw (B48B20B 4 Cyl 1998 Eng)	2019-	M176	AG1928	INTANK	D4241 or D4274	D4268
3 SERIES 330i (G20), 190Kw (B48B20 4 Cyl 1998 Eng)	2019-	M176	AG1928	INTANK	D4241 or D4274	D4268
4 SERIES 420d (G22), 140Kw (B47D20B 4 Cyl 1995 Turbo Diesel Eng)	2020-	M176			D4274	D4268
4 SERIES 420i (G22), 135Kw (B46B20B/B48B20A 4 Cyl 1998 Eng)	2020-	M176	AG1928	INTANK	D4274	D4268
4 SERIES M440i (G22/G23), 275Kw (B58B30B 6 Cyl 2998 Eng)	2020-	M193			D4274	
4 SERIES M440i (G22/G23/G26), 285Kw (B58B30B 6 Cyl 2998 Eng)	2020-	M193			D4274	D4268
5 SERIES 520d (G30), 140Kw (B47D20A 4 Cyl 1995 Turbo Diesel Eng)	2017-	M176	AG1825		D4218 or D4274	D4139
5 SERIES 520i (G30), 135Kw (B48B20A 4 Cyl 1997 Eng)	2017-2020	M176	AG1825	INTANK	D4218 or D4274	D3995 or D4139
5 SERIES 530d (G30), 195Kw (B57D30A 6 Cyl 2993 Turbo Diesel Eng)	2017-2020	M193			D4274	D3995 or D4139
5 SERIES 530i (G30), 185Kw (B48B20B 4 Cyl 1998 Eng)	2017-	M176	AG1825	INTANK	D4274	D3995 or D4139
5 SERIES 540i (G30), 250Kw (B58B30A 6 Cyl 2998 Eng)	2017-2021	M193	AG1825	INTANK	D4274	D3995 or D4139
7 SERIES 730Ld (G11/G12), 195Kw (B57D30A 6 Cyl 2993 Eng)	2019-	M193			D4241 or D4274	
7 SERIES 740e (G11/G12), 240Kw (B48B20B 4 Cyl 1998 Eng)	2016-2017	M176	AG1825	INTANK	D4274	D3995
X5 SERIES X5 xDRIVE30d (G05), 195Kw (B57D30A 6 Cyl 2993 Turbo Diesel Eng)	2018-	M193			D4241 or D4274	D3995 or D4139
X5 SERIES X5 xDRIVEM50d (G05), 294Kw (B57D30C 6 Cyl 2993 Turbo Diesel Eng)	2018-	M193			D4241 or D4274	D3995

IMPORTANT NOTICE

Every effort has been made to ensure the accuracy of the information listed in this bulletin. The information contained herein is compiled and issued for guidance purposes only. The company (G.U.D. Holdings (Pty) Ltd.) will not be liable for any expenses or claims due to manufacturers changes, modifications and incorrect brake pad applications obtained through the use of this publication.

TECHNICAL HELP DESK : MOKGAOLA MKHONDO : 031-910 3154

Safeline Website: www.safelinebrakes.co.za

